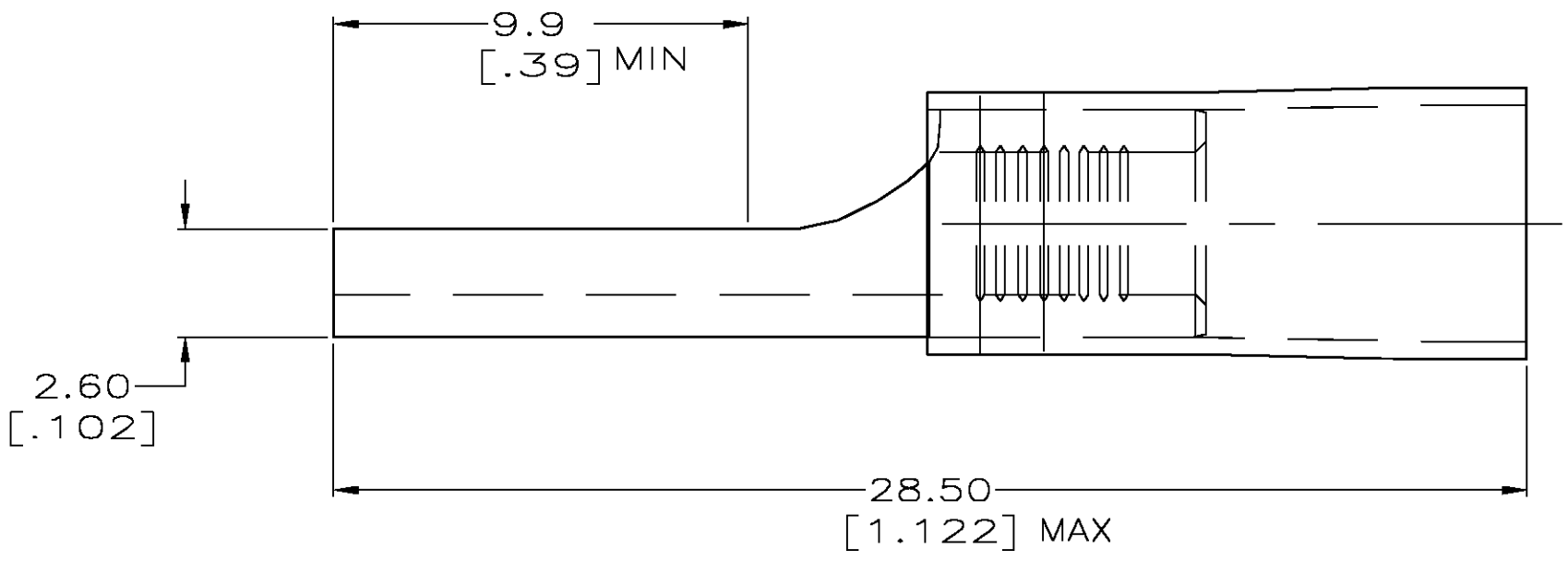
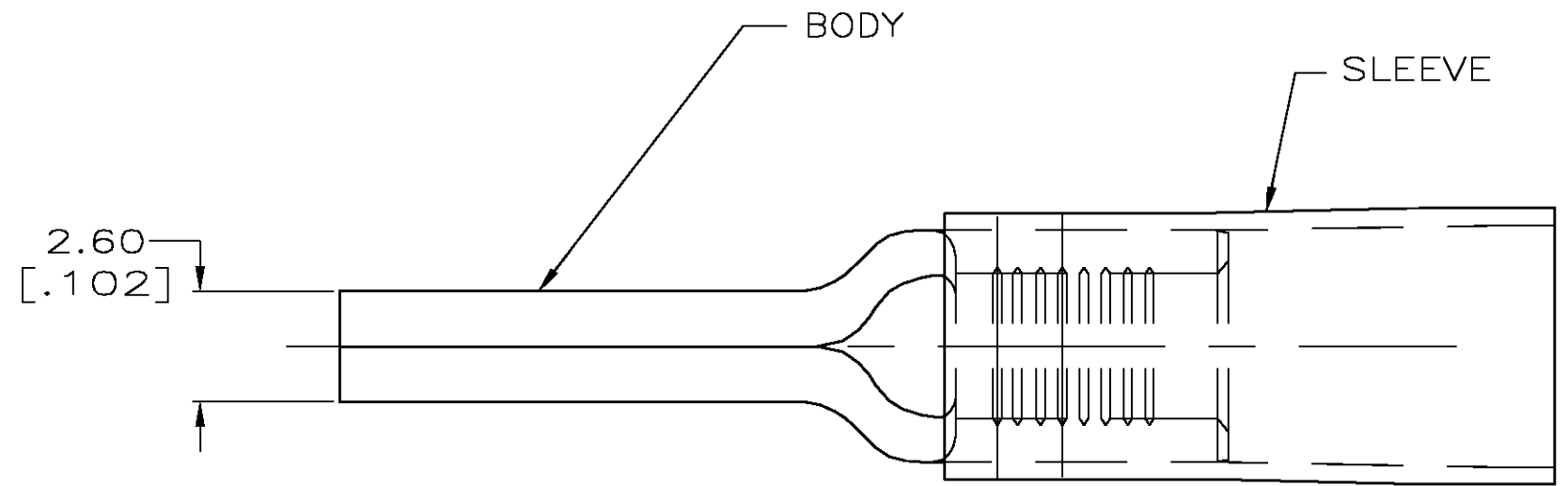


THIS DRAWING IS UNPUBLISHED. RELEASED FOR PUBLICATION
 © COPYRIGHT BY TYCO ELECTRONICS CORPORATION. ALL RIGHTS RESERVED.

| LOC | DIST | REVISIONS | | | | | |
|-----|------|-----------|-----|----------------------|---------|-----|------|
| G | 14 | P | LTR | DESCRIPTION | DATE | DWN | APVD |
| | | C | | REV PER 0G3A-0156-04 | 17MAR04 | JR | TM |

| | |
|--------------------------|--------------------------|
| AMP WIRE RANGE | RU FILE E13288 |
| 12-10 AWG STRANDED | 12-10 AWG STRANDED |

- 1 WIRE INSULATION DIA.
3.80-6.30 [.150-.248] DIA.
- 2 LOOSE PIECE P/N 165049



| | | |
|------|----------------|------------|
| 2000 | 165049 ON TAPE | 2-696200-2 |
| QTY | PACKAGE TYPE | PART NO |

| | | | | | | | | | |
|---|--|--|--|---|------------------------------|--|--------------------|------------------------|--------------------|
| AMP INCORPORATED CUSTOMER SERVICE SYSTEMS | | MAX RECOMMENDED OPERATING TEMPERATURE: 105°C [221°F] | THIS DRAWING IS A CONTROLLED DOCUMENT. | | DWN JR RUTH 09AU00 | tyco Tyco Electronics Corporation Harrisburg, Pa 17105-3608 | | | |
| FOR ADDITIONAL PRODUCT INFORMATION OR COPIES OF DRAWINGS AND TECHNICAL DOCUMENTS | PRODUCT INFORMATION CENTER 1-800-522-6752 | VOLTAGE RATING: 300V MAX | DIMENSIONS: mm [INCHES] | TOLERANCES UNLESS OTHERWISE SPECIFIED: | CHK T MICHIELUTTI 09AU00 | NAME T MICHIELUTTI | | | |
| FOR APPLICATION TOOLING INFORMATION | TOOLING ASSISTANCE CENTER 1-800-722-1111 | CIRCULAR MIL AREA: 2.70-6.6mm ² [5,328-13,025] STRANDED | | 0 PLC ± - 1 PLC ± - 2 PLC ± 0.20 [.008] 3 PLC ± - 4 PLC ± - ANGLES ± - | APVD T MICHIELUTTI 09AU00 | PRODUCT SPEC - | | | |
| FOR ORDER ENTRY | 1-800-526-5142 | THIS DRAWING IS A CONTROLLED DOCUMENT FOR AMP INCORPORATED. IT IS SUBJECT TO CHANGE AND THE CONTROLLING ENGINEERING ORGANIZATION SHOULD BE CONTACTED FOR THE LATEST REVISION. | MATERIAL BODY: COPPER SLEEVE: NYLON | FINISH BODY: TIN PLATE SLEEVE: YELLOW | APPLICATION SPEC - | SIZE A3 | CAGE CODE 00779 | DRAWING NO C-696200 | RESTRICTED TO - |
| CUSTOMER DRAWING | | | | | WEIGHT - | SCALE 6:1 | SHEET 1 OF 1 | REV C | |